



GSUN-XXX-6PA: Maximum System Voltage 1000 VDC.  
GSUN-XXX-6PA-HV: Maximum System Voltage 1500 VDC.

## GSUN-6PA(-HV)-(325-340W) SERIES 6 INCH 72 CELLS

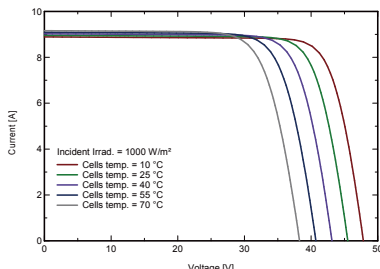
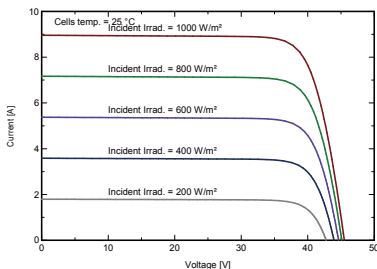
### Electrical Characteristics

Module Type	GSUN-325-6PA GSUN-325-6PA-HV		GSUN-330-6PA GSUN-330-6PA-HV		GSUN-335-6PA GSUN-335-6PA-HV		GSUN-340-6PA GSUN-340-6PA-HV	
	STC	NOCT	STC	NOCT	STC	NOCT	STC	NOCT
Maximum Power -P <sub>mp</sub> (W)	325	240	330	244	335	248	340	252
Open Circuit Voltage -V <sub>oc</sub> (V)	45.7	42.2	45.9	42.4	46.2	42.6	46.4	42.8
Short Circuit Current -I <sub>sc</sub> (A)	9.03	7.30	9.12	7.37	9.20	7.43	9.30	7.49
Maximum Power Voltage -V <sub>mp</sub> (V)	37.3	34.8	37.5	35.0	37.7	35.3	37.9	35.5
Maximum Power Current -I <sub>mp</sub> (A)	8.72	6.89	8.80	6.98	8.89	7.02	8.98	7.10
Module Efficiency STC-η <sub>m</sub> (%)	16.75/16.63		17.01/16.89		17.26/17.15		17.52/17.40	
Power Tolerance (W)	(0,+4.99)							
Maximum System Voltage (V)	1000VDC / 1500VDC							
Maximum Series Fuse Rating (A)	20A							
Pmax Temperature Coefficient	-0.36 %/°C							
Voc Temperature Coefficient	-0.30 %/°C							
Isc Temperature Coefficient	+0.05 %/°C							
Operating Temperature	-40~+85 °C							
Nominal Operating Cell Temperature	45±2 °C							
Fire Rating	Class C							

STC: Irradiance 1000 W/m<sup>2</sup> module temperature 25°C AM=1.5

NOCT: Irradiance 800 W/m<sup>2</sup> ambient temperature 20°C wind speed :1m/s Power measurement tolerance: +/-3%

### I-V Curve



### Mechanical Specifications

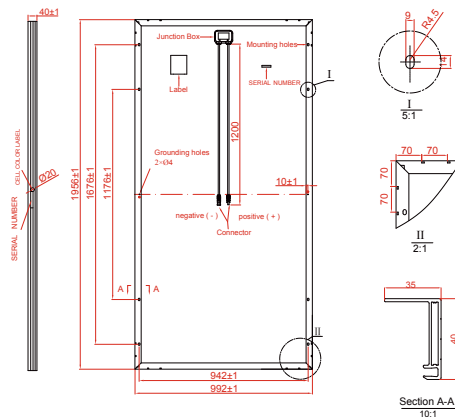
External Dimension	1956 x 992 x 40mm/1970 x 992 x 40mm
Weight	21.5kg/22.0kg
Solar Cells	Poly crystalline 156.75 x 156.75 mm (72pcs)
Front Glass	3.2 mm AR coating tempered glass, low iron
Frame	Anodized aluminium alloy
Junction Box	IP68, 3 diodes
Output Cables	4.0 mm <sup>2</sup> , cable length:1200 mm
Connector	TT01;PV-KST4/xy-UR;PV-KBT4/xy-UR;
Mechanical Load	5400 Pa

### Packing Configuration

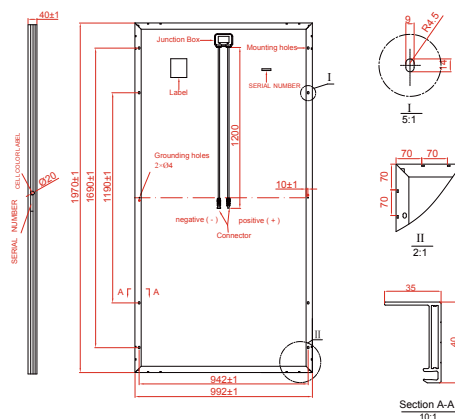
External Dimension	1956 x 992 x 40mm/1970 x 992 x 40mm		
Container	20'GP	40'GP	40'HQ
Pieces per Pallet	27	27	27+2*
Pallets per Container	10	22	22
Pieces per Container	270	594	638

\* 27+2 pieces per pallet is the special package which only suits for container transport.For details,please consult GSUN.

### Technical drawing(GSUN-XXX-6PA)



### Technical drawing(GSUN-XXX-6PA-HV)



\* All Dimensions in mm.

\* The above drawing is a graphical representation of the product. For engineering quality drawings please contact GSUN.