



GSUN-XXX-6PB: Maximum System Voltage 1000 VDC.
GSUN-XXX-6PB-HV: Maximum System Voltage 1500 VDC.

GSUN-6PB(-HV)-(270-285W) SERIES 6 INCH 60 CELLS

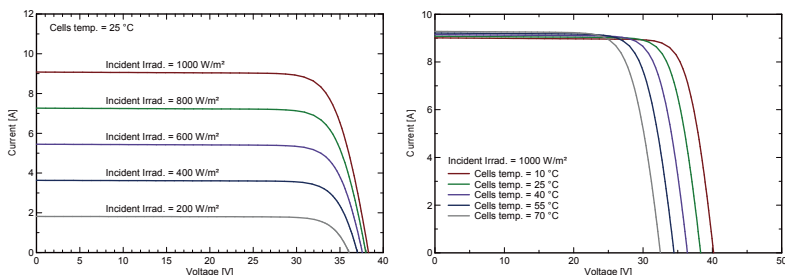
Electrical Characteristics

Module Type	GSUN-270-6PB GSUN-270-6PB-HV		GSUN-275-6PB GSUN-275-6PB-HV		GSUN-280-6PB GSUN-280-6PB-HV		GSUN-285-6PB GSUN-285-6PB-HV	
	STC	NOCT	STC	NOCT	STC	NOCT	STC	NOCT
Maximum Power $-P_{mp}$ (W)	270	200	275	204	280	208	285	212
Open Circuit Voltage $-V_{oc}$ (V)	38.1	35.2	38.3	35.4	38.5	35.6	38.7	35.8
Short Circuit Current $-I_{sc}$ (A)	8.99	7.26	9.08	7.35	9.18	7.44	9.27	7.53
Maximum Power Voltage $-V_{mp}$ (V)	31.3	29.2	31.6	29.4	31.8	29.6	32.0	29.8
Maximum Power Current $-I_{mp}$ (A)	8.63	6.85	8.71	6.94	8.81	7.03	8.91	7.12
Module Efficiency STC- η_m (%)	16.60/16.50		16.90/16.80		17.21/17.11		17.52/17.41	
Power Tolerance (W)	(0,+4.99)							
Maximum System Voltage (V)	1000VDC / 1500VDC							
Maximum Series Fuse Rating (A)	20A							
Pmax Temperature Coefficient	-0.36 %/°C							
Voc Temperature Coefficient	-0.30 %/°C							
Isc Temperature Coefficient	+0.05 %/°C							
Operating Temperature	-40~+85 °C							
Nominal Operating Cell Temperature	45±2 °C							
Fire Rating	Class C							

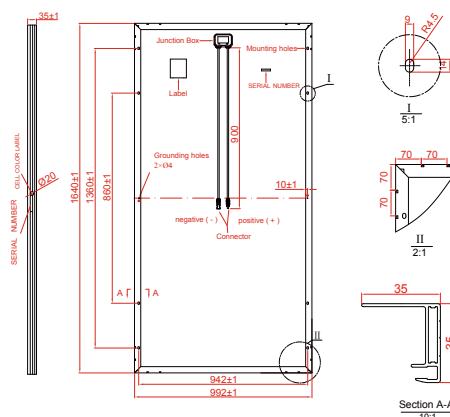
STC: Irradiance 1000 W/m² module temperature 25°C AM=1.5

NOCT: Irradiance 800 W/m² ambient temperature 20°C wind speed :1m/s Power measurement tolerance: +/-3%

I-V Curve



Technical drawing(GSUN-XXX-6PB)



Mechanical Specifications

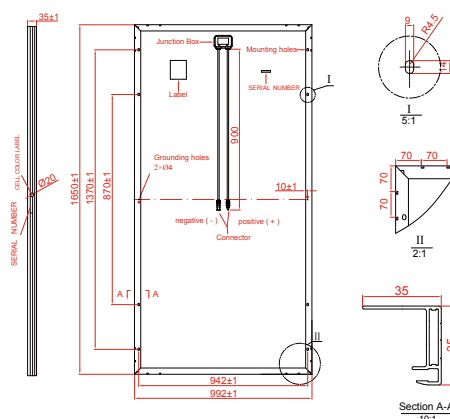
External Dimension	1640 x 992 x 35mm/1650 x 992 x 35mm
Weight	17.5kg/18.0kg
Solar Cells	Poly crystalline 156.75 x 156.75 mm (60pcs)
Front Glass	3.2 mm AR coating tempered glass, low iron
Frame	Anodized aluminium alloy
Junction Box	IP68, 3 diodes
Output Cables	4.0 mm ² , cable length:900 mm
Connector	TT01;PV-KST4/xy-UR;PV-KBT4/xy-UR;
Mechanical Load	5400 Pa

Packing Configuration

External Dimension	1640 x 992 x 35mm/1650 x 992 x 35mm		
Container	20'GP	40'GP	40'HQ
Pieces per Pallet	30	30	30+2*
Pallets per Container	12	28	28
Pieces per Container	360	840	896

* 30+2 pieces per pallet is the special package which only suits for container transport.For details,please consult GSUN.

Technical drawing(GSUN-XXX-6PB-HV)



* All Dimensions in mm.

* The above drawing is a graphical representation of the product. For engineering quality drawings please contact GSUN.