

Electrical Characteristics

Module Type	M10-72-540-BG			M10-72-545-BG			M10-72-550-BG		
	Front STC	Front NOCT	Back STC	Front STC	Front NOCT	Back STC	Front STC	Front NOCT	Back STC
Maximum Power at STC (Pmp)	540	406	378	545	409	382	550	414	385
Open Circuit Voltage (Voc)	49.5	46.2	49.5	49.6	46.3	49.6	49.7	46.4	49.7
Short Circuit Current (Isc)	13.81	11.16	9.74	13.90	11.23	9.80	14.00	11.32	9.87
Maximum Power Voltage (Vmp)	41.6	38.4	41.6	41.8	38.4	41.9	42.1	38.6	42.1
Maximum Power Current (Imp)	13.00	10.59	9.09	13.04	10.65	9.13	13.08	10.73	9.15
Module Efficiency at STC(ηm)	20.84			21.03			21.23		
Power Tolerance	(0,+3%)								
Maximum System Voltage	1500 VDC								
Maximum Series Fuse Rating	25A								

STC: Irradiance 1000 W/m² module temperature 25°C AM=1.5;

Rear Side Power Gain(M10-72-540-BG)

Power Gain	10%	15%	20%	25%	30%
Maximum Power -Pmp (W)	594	621	648	675	702
Open Circuit Voltage -Voc (V)	49.5	49.5	49.5	49.5	49.5
Short Circuit Current -Isc (A)	15.19	15.88	16.57	17.26	17.95
Maximum Power Voltage -Vmp (V)	41.6	41.6	41.6	41.6	41.6
Maximum Power Current -Imp (A)	14.30	14.95	15.60	16.25	16.90

Temperature Characteristics

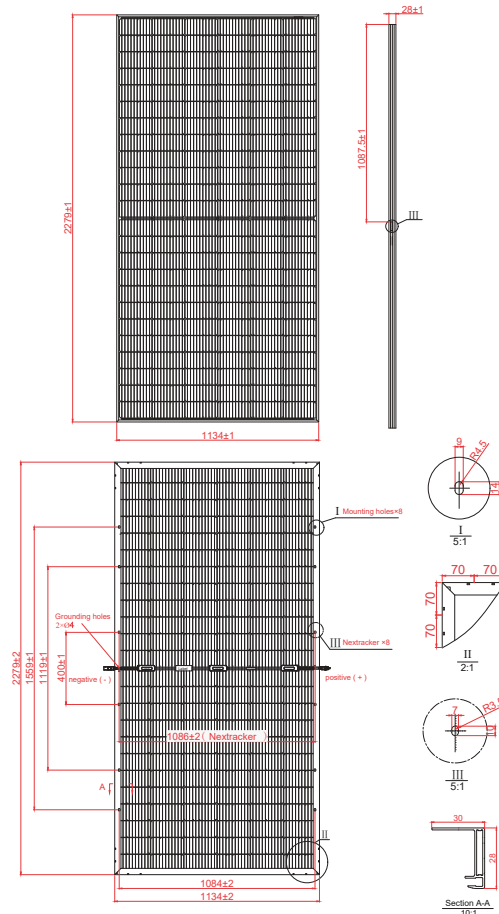
Pmax Temperature Coefficient	-0.36 %/°C
Voc Temperature Coefficient	-0.28 %/°C
Isc Temperature Coefficient	+0.05 %/°C
Operating Temperature	-40 ~ +85 °C
Nominal Operating Cell Temperature(NOCT)	45±2 °C
Fire Rating	Class C

Mechanical Specifications

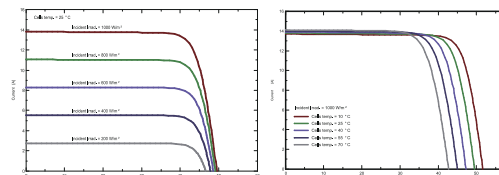
External Dimensions	2279 x 1134 x 28 mm
Weight	27.0kg
Solar Cells	PERC Mono crystalline(144pcs)
Front Glass	1.6mm+1.6mm AR coating semi-tempered glass, low iron
Frame	Anodized aluminium alloy
Junction Box	IP68,3 diodes
Output Cables	4.0 mm ² ,Portrait:1200mm or Customized Length
Connector	Genuine MC4 Connector /Compatible MC4 Connector
Mechanical Load	Front side 5400Pa/ Rear side 2400Pa

Packing Configuration

	2279x 1134 x 28 mm
Container	40'HQ
Pieces per Pallet	38+38
Pallets per Container	10
Pieces per Container	760



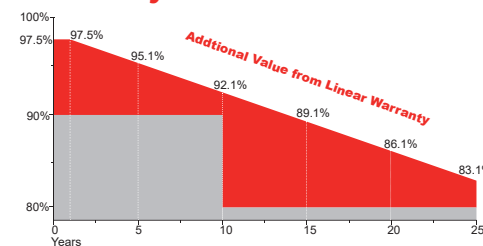
I-V Curve



Product Certificates



Warranty



10 YEARS Guarantee on product material and workmanship | **25 YEARS** linear power output warranty

Made in China



M10-72-540-550W-BG